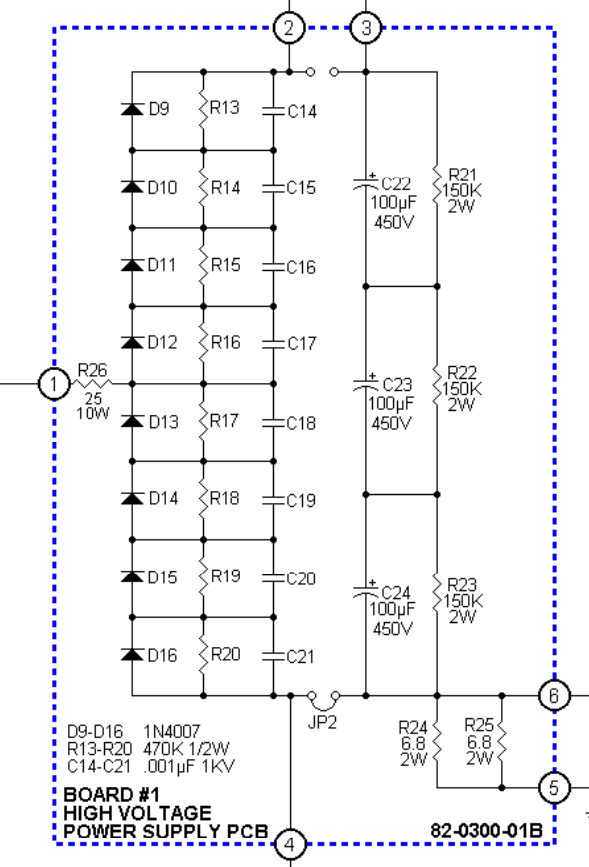
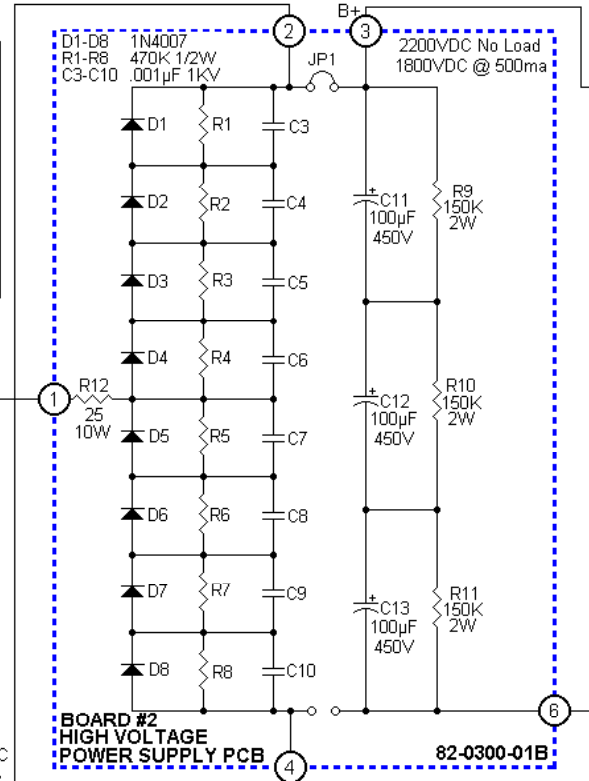
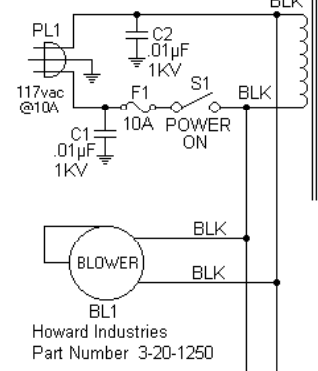
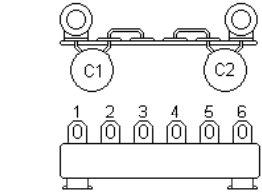
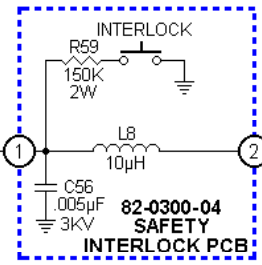


Lethally high voltages are present inside the amplifier.
Use Caution when servicing.

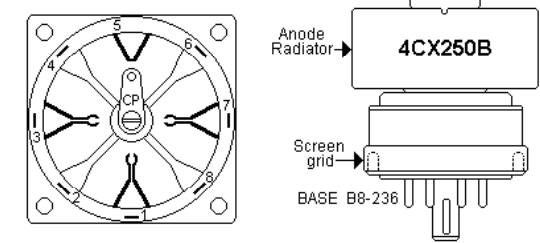
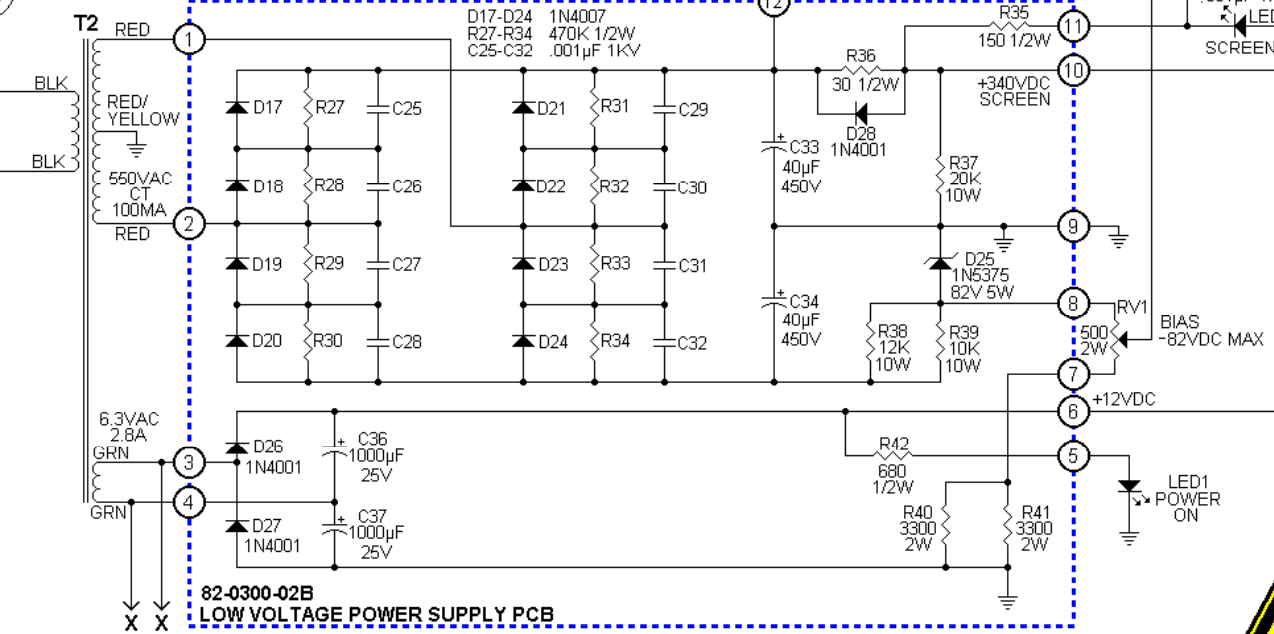
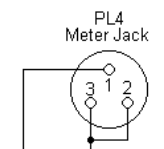
LUG	WIRE	CONNECTION
1	BLACK	PIN#9 LOW VOLTAGE PCB
2	BLACK	Pins 2&3 ON METER JACK
3	BLACK	S1 ON Front Panel
4	BLACK	FROM BLOWER 87-1250-00
5	BLACK	T2 FROM LOW VOLTAGE
6	BLACK	T1 FROM HIGH VOLTAGE
7	BLACK	T2 FROM LOW VOLTAGE
8	BLACK	T1 FROM HIGH VOLTAGE
9	BLACK	FROM BLOWER 87-1250-00
10	WHITE	LINE CORD
11	RED/YELLOW	T2 FROM LOW VOLTAGE
12	GREEN	LINE CORD



Lethally high voltages are present inside the amplifier.
Use Caution when servicing.



- L1 200 µH RF choke
- L2 31T #24 6 µH
11/16" OD x 3/8" ID
x 7/32" thick Red
- L3 23T #24 2.4 µH
- L4 17T #24 1.4 µH
- L5 12T #24 0.75 µH
7/16" OD x 7/32" ID
x 5/32" thick Yellow/black

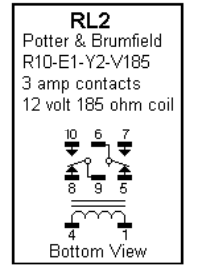
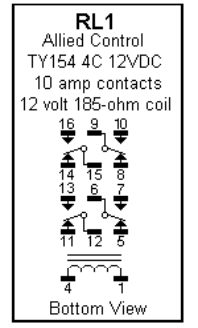


- PIN DESIGNATION
- 1 SCREEN GRID
 - 2 CATHODE
 - 3 HEATER
 - 4 CATHODE
 - 5 I.C. (DON'T USE)
 - 6 CATHODE
 - 7 HEATER
 - 8 CATHODE
 - CENTER PIN CONTROL GRID

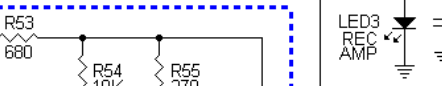


PRIDE DX300 Amateur Bi Linear Amplifier

Copyright © 2004, CBTricks.com All Rights Reserved CBTricks.com Rev.# 1.5



NOTE:
C57 may have a
39pF SM installed



82-0300-03
RF INPUT AND CONTROL PCB

82-0300-02B
LOW VOLTAGE POWER SUPPLY PCB

82-0300-01B
HIGH VOLTAGE POWER SUPPLY PCB

82-0300-01B
HIGH VOLTAGE POWER SUPPLY PCB

82-0300-01B
HIGH VOLTAGE POWER SUPPLY PCB