

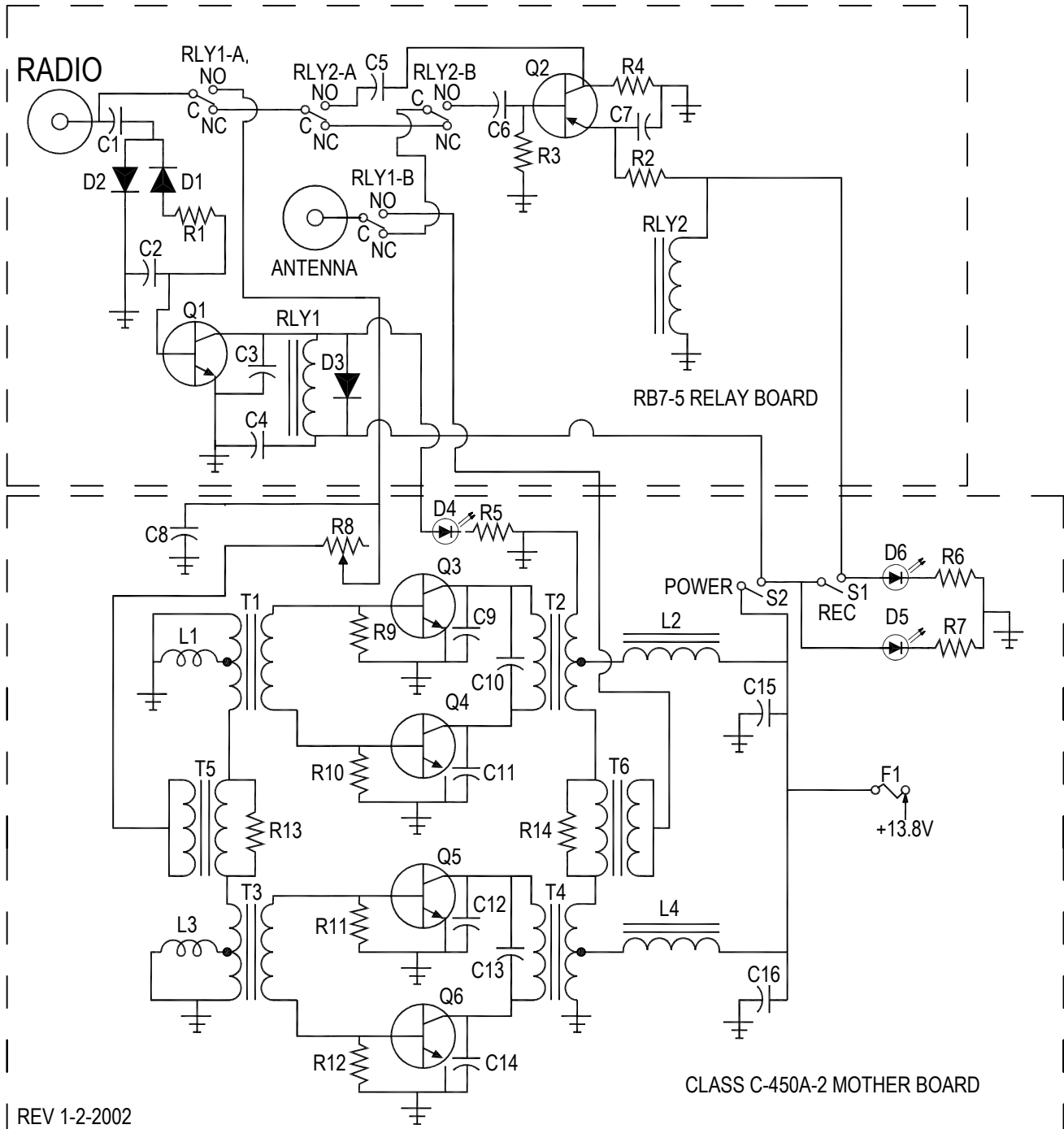
Messenger Class C-Model 450V

RB7-5 RELAY BOARD

- R1-6.8K $\frac{1}{4}$ Watt Carbon Film Resistor
- R2-470 $\frac{1}{4}$ Watt Carbon Film Resistor
- R3-3.3M $\frac{1}{4}$ Watt Carbon Film Resistor
- R4-1K $\frac{1}{4}$ Watt Carbon Film Resistor
- C1-5pF Disc Cerramic Capacitor
- C2-.01uF Disc Cerramic Capacitor
- C3-.01uF Disc Cerramic Capacitor
- C4-.01uF Disc Cerramic Capacitor
- C5-150pF Disc Cerramic Capacitor
- C6-150pF Disc Cerramic Capacitor
- C7-.01uF Disc Cerramic Capacitor
- D1-1N4148 Diode
- D2-1N4148 Diode
- D3-1N4148 Diode
- Q1-2N3904 Transistor
- Q2-2N3906 Transistor
- RLY1-DPDT 2 Amp Relay
- RLY2-DPDT 2 Amp Relay

CLASS C-400A MOTHER BOARD

- R5-1K $\frac{1}{4}$ Watt Carbon Film Resistor
- R6-1K $\frac{1}{4}$ Watt Carbon Film Resistor
- R7-1K $\frac{1}{4}$ Watt Carbon Film Resistor
- R8-20 Ω Potentiometer
- R9-10 $\frac{1}{2}$ Watt Carbon Film Resistor
- R10-10 $\frac{1}{2}$ Watt Carbon Film Resistor
- R11-10 $\frac{1}{2}$ Watt Carbon Film Resistor
- R12-10 $\frac{1}{2}$ Watt Carbon Film Resistor
- R13-100 Ω 2 Watt Carbon Film Resistor
- R14-100 Ω 2 Watt Carbon Film Resistor
- C8-100pF Disc Cerramic Capacitor
- C9-100pF Disc Cerramic Capacitor
- C10-1000pF DM19 Dipped Mica Capacitor
- C11-100pF Disc Cerramic Capacitor
- C12-100pF Disc Cerramic Capacitor
- C13-1000pF DM19 Dipped Mica Capacitor
- C14-100pF Disc Cerramic Capacitor
- C15-.01uF Disc Cerramic Capacitor
- C16-.01uF Disc Cerramic Capacitor
- D4-LED T1
- D5-LED T1
- D6-LED T1
- F1-AGC 35 or 40 AMP FUSE
- L1-22uH Inductor
- L2-RF Beads
- L3-22uH Inductor
- L4-RF Beads
- Q3-SD1446 Thomson Transistor
- Q4-SD1446 Thomson Transistor
- Q5-SD1446 Thomson Transistor
- Q6-SD1446 Thomson Transistor
- S1-SPST Switch (REC ON/OFF)
- S2-SPST Switch (PWR ON/OFF)
- S3-SPST Switch (LOW/HIGH)
- T1-Transformer $\frac{1}{4}$ Inch Long
- T2-Transformer $\frac{1}{4}$ Inch Long
- T3-Transformer $\frac{1}{4}$ Inch Long
- T4-Transformer $\frac{1}{4}$ Inch Long
- T5-Splitter $\frac{1}{2}$ Inch Diameter
- T6-Combiner 1 Inch Diameter
- DC Cable-#10 Red PVC
- DC Cable-#10 Black PVC



REV 1-2-2002