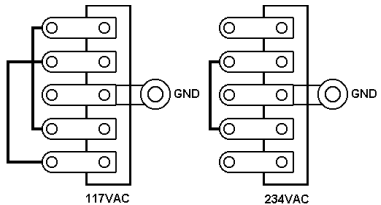
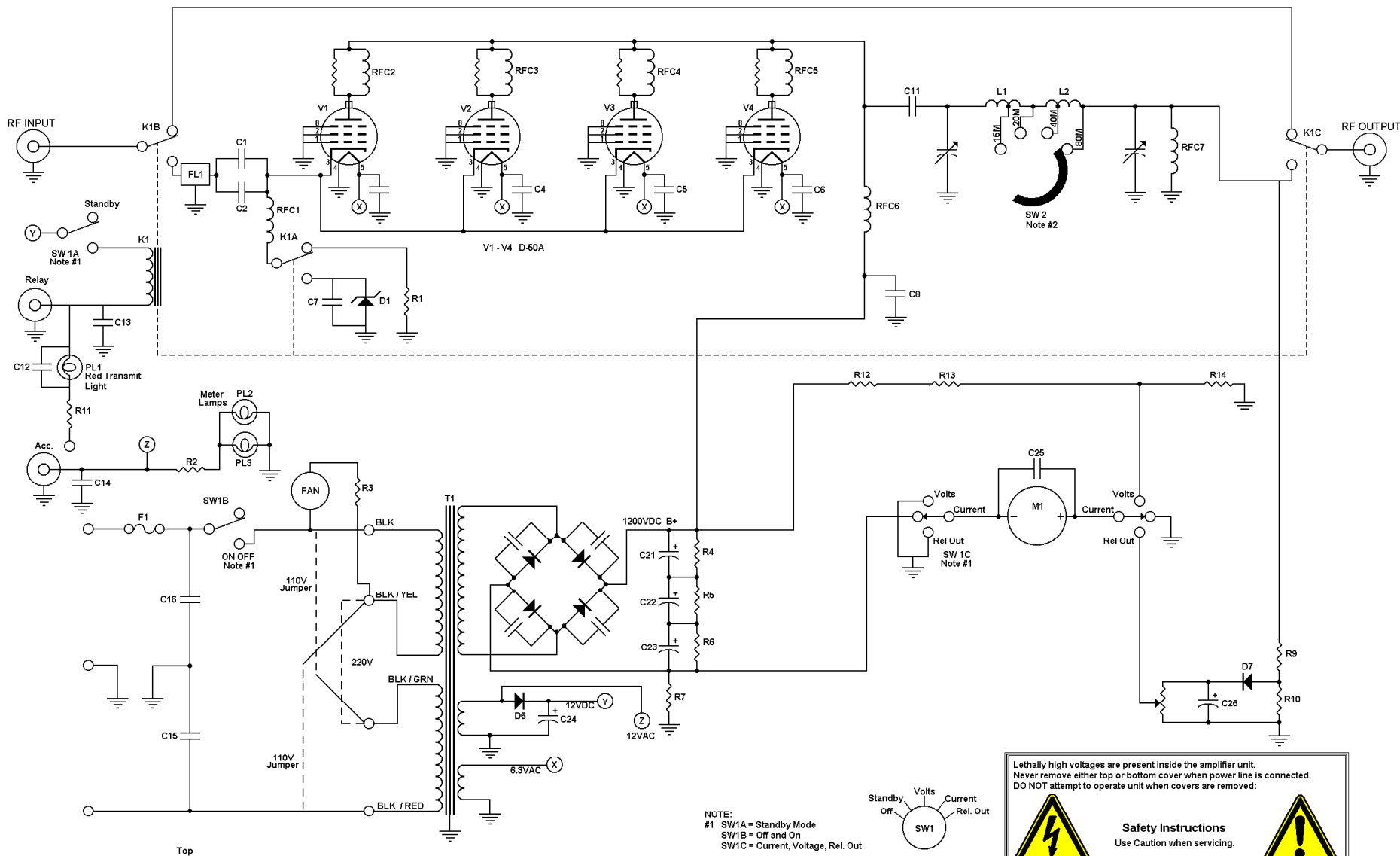



# GLA-1000 SCHEMATIC



TERMINAL STRIP ON BACK PANEL FOR 234VAC OR 117VAC OPERATION SEE NOTE #3


- NOTE:  
 #1 SW1A = Standby Mode  
 SW1B = Off and On  
 SW1C = Current, Voltage, Rel. Out
- #2 SW2 = Shown Front View, Shorting Towards 16Mtrs.
- #3 Remove Either 117VAC or 234VAC Jumpers Before Changing From One to Another

Lethally high voltages are present inside the amplifier unit. Never remove either top or bottom cover when power line is connected. DO NOT attempt to operate unit when covers are removed:



**Safety Instructions**

Use Caution when servicing.



Disclaimer:  
 Although the greatest care has been taken while compiling these documents, we cannot guarantee that the information is 100% correct.  
 Copyright ©2004 B. Bolin