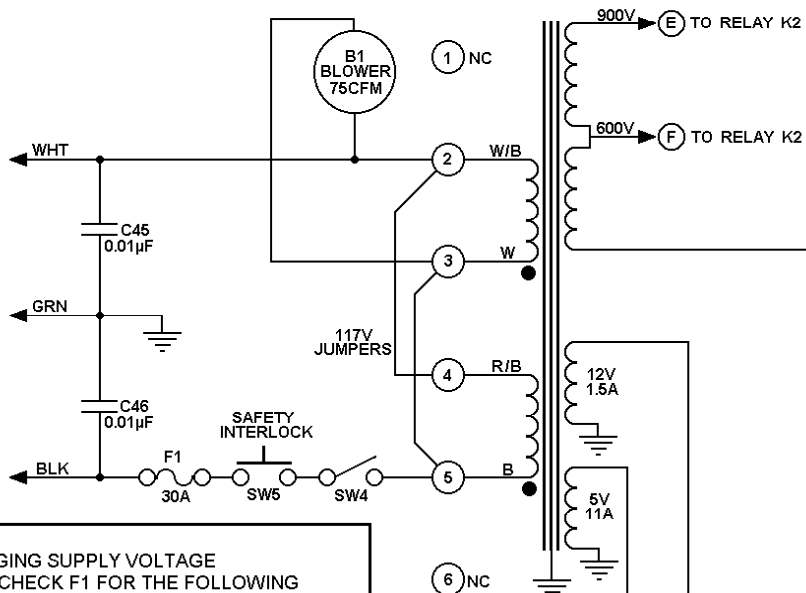
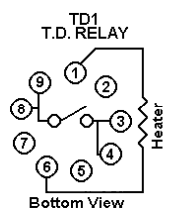
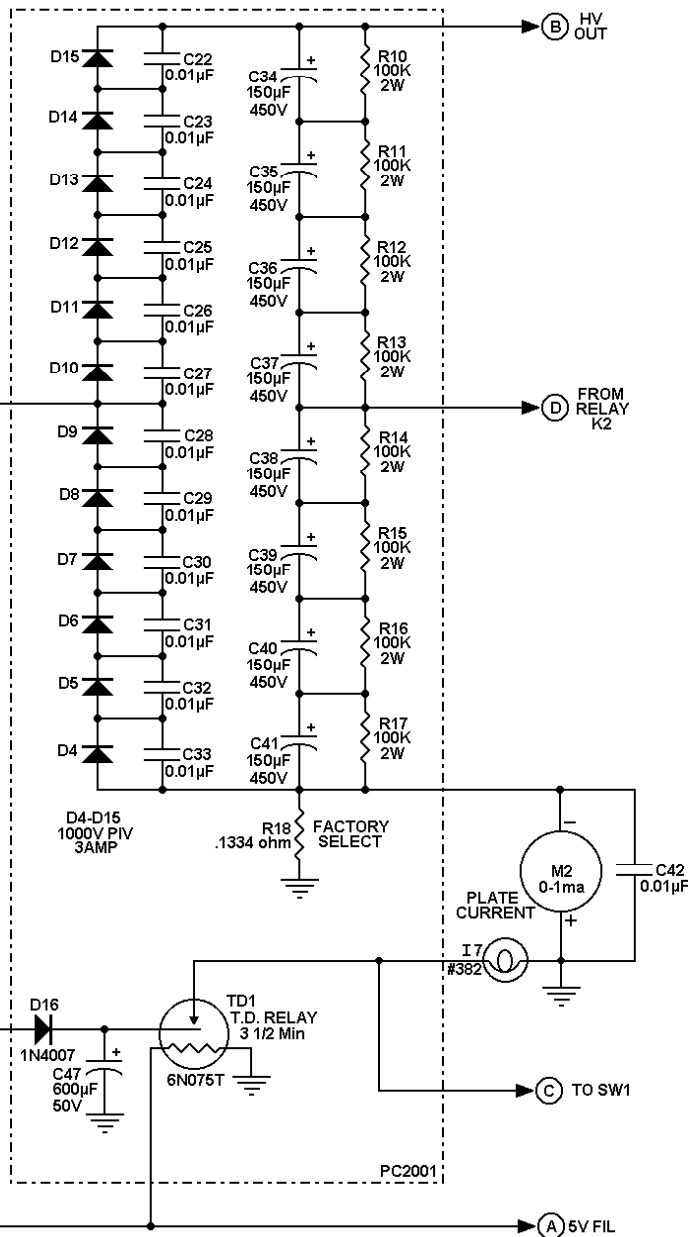
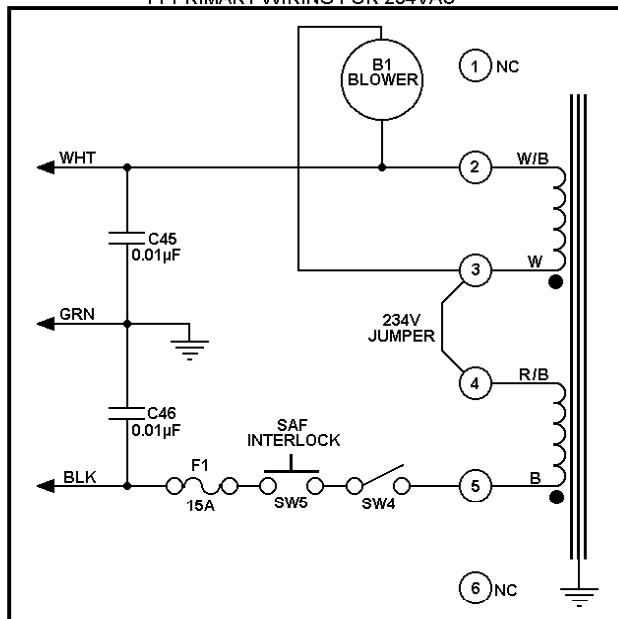


Lethally high voltages are present inside the amplifier.
Use Caution when servicing.



NOTE:
WHEN CHANGING SUPPLY VOLTAGE
BE SURE TO CHECK F1 FOR THE FOLLOWING
234V F1 SHOULD BE 15A
117V F1 SHOULD BE 30A
REMOVE ALL AC POWER BEFORE MAKING CHANGE.

T1 PRIMARY WIRING FOR 234VAC



Lethally high voltages are present inside the amplifier unit.
Never remove either top or bottom cover when power line is connected.
DO NOT attempt to operate unit when covers are removed:

Safety Instructions
Use Caution when servicing.

DENTRON DTR2000L H.V. SUPPLY

Disclaimer:
Although the greatest care has been taken while compiling these documents,
we cannot guarantee that the information is 100% correct.
Copyright © 2004 B. Bolin