

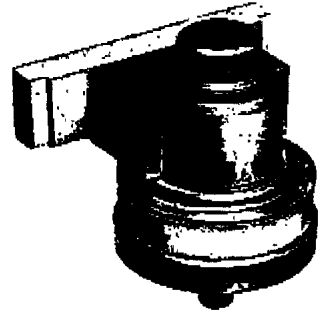


TECHNICAL DATA

4CS250R

CONDUCTION COOL
RADIAL BEAM
TETRODE

The 4CS250R is a compact, conduction cooled, high perveance radial beam tetrode. It is electrically identical to the 4CX250R except that the maximum dissipation of the 4CS250R is limited only by the maximum allowable anode and ceramic/metal seal temperatures. A beryllium oxide (BeO) thermal link is brazed to the anode providing an electrically isolated, low thermal resistance path between the anode and the heat sink. Ruggedized construction allows the 4CS250R to be operated in applications where shock and/or vibration is experienced.



GENERAL CHARACTERISTICS¹

ELECTRICAL

Cathode: Oxide Coated, Unipotential

Heater Voltage	6.0 ± 0.3 V
Current @ 6.0 V	2.6 A
Cathode - Heater Potential (maximum)	±150 V

Direct Interelectrode Capacitances (grounded cathode)²

Cin	17 pF
Cout ³	4.7 pF
Cgp	0.04 pF

Frequency of Maximum Rating:

CW	500 MHz
Plate or Grid-Pulsed	500 MHz

1. Characteristics and operating values are based upon performance tests. These figures may change without notice as the result of additional data or product refinement. EIMAC Division of Varian should be consulted before using this information for final equipment design.
2. In Shielded Fixture.
3. See OUTPUT CAPACITANCE section.

MECHANICAL

Maximum Overall Dimensions:

Length	2.46 In; 62.5 mm
Diameter	1.76 In; 44.9 mm

Net Weight 5 oz; 141.7 gm

Operating Position Any

Maximum Operating Temperature:

Ceramic/Metal Seals	250°C
Anode Core	250°C
Plate and Bias Seals	250°C

Cooling Conduction

Base Special 9-pin

Recommended Socket EIMAC SK-660, SK-661 series



4CS250R

**RADIO FREQUENCY LINEAR AMPLIFIER
GRID DRIVEN**

Class AB₁

MAXIMUM RATINGS:

DC PLATE VOLTAGE	2000	VOLTS
DC SCREEN VOLTAGE	500	VOLTS
DC GRID VOLTAGE	-250	VOLTS
DC PLATE CURRENT	0.250	AMPERE
SCREEN DISSIPATION	12	WATTS
GRID DISSIPATION	2	WATTS

1. Adjust to specified zero-signal dc plate current.
2. Approximate values.

**TYPICAL OPERATION
Class AB₁ Grid Driven**

Plate Voltage	1500	2000	Vdc
Screen Voltage	350	400	Vdc
Grid Voltage ¹	-62	-80	Vdc
Zero-Signal Plate Current	133	70	mAdc
Two-Tone Plate Current	250	245	mAdc
Two-Tone Screen Current ²	-10	+1	mAdc
Peak rf Grid Voltage	56	90	v
Useful Output Power	262	470	W
Resonant Load Impedance	2160	2840	Ω
Intermodulation Distortion Products ³			
3rd Order	-30	-23	db
5th Order	-35	-27	db

3. The intermodulation distortion products are referenced against one tone of a two equal tone signal.

**RADIO FREQUENCY POWER AMPLIFIER
OR OSCILLATOR**

Class G Telephony or FM
(Key-Down Conditions)

MAXIMUM RATINGS:

DC PLATE VOLTAGE	2000	VOLTS
DC SCREEN VOLTAGE	300	VOLTS
DC GRID VOLTAGE	-250	VOLTS
DC PLATE CURRENT	0.250	AMPERE
SCREEN DISSIPATION	12	WATTS
GRID DISSIPATION	2	WATTS

TYPICAL OPERATION

Plate Voltage	1000	1500	2000	Vdc
Screen Voltage	250	250	250	Vdc
Grid Voltage	-90	-80	-90	Vdc
Plate Current	227	240	241	mAdc
Screen Current ¹	9	8	8	mAdc
Grid Current ¹	11	10.5	10.5	mAdc
Peak rf Grid voltage ¹	104	104	104	v
Calculated Driving Power ¹	1.2	1.1	1.1	W
Plate Input Power	227	360	482	W
Plate Dissipation	74	91	103	W
Plate Output Power	153	269	379	W
Resonant Load Impedance	1833	2900	4041	Ω

1. Approximate value.

**PLATE MODULATED RADIO FREQUENCY POWER
AMPLIFIER-GRID DRIVEN**

Class C Telephony (Carrier Conditions)

MAXIMUM RATINGS:

DC PLATE VOLTAGE	1500	VOLTS
DC SCREEN VOLTAGE	300	VOLTS
DC GRID VOLTAGE	-250	VOLTS

DC PLATE CURRENT	0.200	AMPERE
SCREEN DISSIPATION ¹	12	WATTS
GRID DISSIPATION ¹	2	WATTS

1. Average, with or without modulation.

**AUDIO FREQUENCY POWER AMPLIFIER
OR MODULATOR**

Class AB₁ Grid Driven (Sinusoidal Wave)

MAXIMUM RATINGS (Per Tube):

DC PLATE VOLTAGE	2000	VOLTS
DC SCREEN VOLTAGE	500	VOLTS
DC GRID VOLTAGE	-250	VOLTS
DC PLATE CURRENT	0.250	AMPERE
SCREEN DISSIPATION	12	WATTS
GRID DISSIPATION	2	WATTS

TYPICAL OPERATION (Two Tubes) (Push-Pull)

Plate Voltage	1500	2000	Vdc
Screen Voltage	300	350	Vdc
Grid Voltage ^{1,2}	-48	-66	Vdc
Zero-Signal Plate Current	200	140	mAdc
Max. Signal Plate Current	490	500	mAdc
Zero-Signal Screen Current ¹	0	4	mAdc
Max. Signal Screen Current ¹	0	14	mAdc
Plate Output Power	390	595	W
Load Resistance (plate to plate)	5920	8016	Ω

1. Approximate value.
2. Adjust to give stated zero-signal plate current.



NOTE: TYPICAL OPERATION data are obtained from direct measurement or by calculation from published characteristic curves. Adjustment of the rf grid voltage to obtain the specified plate current at the specified bias, screen and plate voltages is assumed. If this procedure is followed, there will be little variation in output power when the tube is changed, even though there may be some variation in grid and screen current. The grid and screen currents which result when the desired plate current is obtained are incidental and vary from tube to tube. These current variations cause no difficulty so long as the circuit maintains the correct voltage in the presence of the variations in current. In the case of Class of C Service, if grid bias is obtained principally by means of a grid resistor, the resistor must be adjustable to obtain the required bias voltage when the correct rf grid voltage is applied.

RANGE VALUES FOR EQUIPMENT DESIGN

	Min.	Max.	
Heater Current @ 6.0 volts	2.3	2.9	A
Cathode Warmup Time	30	---	sec.
Interelectrode Capacitances ¹ (grounded cathode connection)			
C _{in}	16.0	18.5	pF
C _{out}	4.2	5.2	pF
C _{gp}	---	0.06	pF

1. Capacitance values are for a cold tube as measured in a special shielded fixture in accordance with Electronic Industries Association Standard RS-191.

APPLICATION

MECHANICAL

MOUNTING & SOCKETING - The 4CS250R may be mounted in any position. EIMAC SK-860 and SK-661 socket series is recommended. The SK-660 (made of alumina) and the SK-661 (made of BeO) will allow the tube base seal heat to be effectively transferred to the heat sink. Other sockets may be used if a means for keeping the ceramic/metal base seals below 250°C is provided. The EIMAC SK-655 and ERIE 2943 and 2929 series screen by-pass capacitor are recommended for use with the 4CS250R. Figure 1 shows the recommended method of mounting the 4CS250R to the heat sink.

When using natural convection heat sinks, Figure 2 will assist the designer in determining the minimum heat sink surface area required for the given power dissipation. The thermal and electrical characteristics of the BeO used on the 4CS250R are given in Table I and Figure 3.

A good thermally conductive compound (1) should be used in the interface to reduce the thermal resistance of this joint. In addition, the method of fastening the tube to the heat sink should provide reasonable compression to help further reduce this interface thermal resistance.

The effectiveness of any cooling system used with the 4CS250R is determined by the anode and ceramic/metal seal temperatures. These must be held below 250°C for all conditions of expected ambient temperatures and operation. These temperature parameters should be measured in the design stage using accurate thermocouples or thermistors.

(1) Thermal joint compound and supplier.

- a) Wakefield 120, Wakefield Engineering Co. Wakefield, Mass.
- b) Dow Corning 340, Dow Corning Corp., Midland, Michigan.
- c) Astrodyne Thermal Bond 312, Astrodyne, Inc., Burlington, Mass.
- d) General Electric Insulgrease - G641, General Electric Co. Cleveland Ohio, 44177.

COOLING - The 4CS250R is designed for conduction cooled systems by using a beryllium oxide (BeO) thermal link brazed to the anode. The BeO is a ceramic material which exhibits high thermal conductance similar to aluminum and high electrical resistance and low loss typical of ceramics.



4CS250R

When this BeO thermal link is fastened to a suitable heat sink, it provides a low thermal resistance path allowing the anode heat to be transferred to the heat sink. The BeO also provides electrical isolation between the tube anode and the heat sink.

The heat sink can be cooled by natural (free) convection, forced air convection, liquid cooling or a combination of these methods. The design choice is determined by the tube application but in all cases the cooling system must maintain the anode and ceramic/metal seal temperatures below 250°C.

In a conduction cooled system, anode temperature and seal temperature are determined by the thermal resistance of the thermal path between the anode and the cooling medium, e.g., air, water. The thermal path consists of the Beryllium oxide thermal link, the interface between the thermal link and heat sink, and the heat sink. The thermal resistance of the BeO thermal link versus its average temperature is given in Figure 3.

DANGER-BERYLLIUM OXIDE CERAMICS (BeO) BREATHING DUST OR FUMES CAN KILL - Normal use of tubes with Beryllium Oxide ceramics is not hazardous, but the user is cautioned that breathing small quantities of the dust or fumes from Beryllium Oxide can seriously injure or kill. Do not alter, disassemble, grind, lap, fire, chemically clean, or perform any other operation on the Beryllium Oxide

block attached to the anode of the 4CS250R, or to the socket used with the tube, which may also contain Beryllium Oxide.

Any tube or accessory part containing Beryllium Oxide ceramics should be returned to EIMAC at the end of its useful life, with authorization for disposal.

SHOCK & VIBRATION - This family is shock and vibration tested with plate and screen voltages applied. Production tubes are randomly sampled and tested under the following conditions.

With plate, screen, and grid voltage on, the tubes sampled are subjected to six shocks of 90 G's minimum half-sine-wave motion, with a duration of 11.0 ± 2 milliseconds, in each of the three major axes (X, Y, Z).

With the rated plate and screen voltages applied and the control grid voltage adjusted for a plate current of 100 ma. through a plate load resistance of 4900 ohms, each of the tubes tested is vibrated in the three major axes throughout the range of 28 to 2000 and back to 28 Hz in a minimum time of six minutes per axis. The vibration level is maintained at 10 G's. The noise voltage developed across the plate load resistor may not exceed 30 volts rms.

VOLTAGE BREAKDOWN VERSUS ALTITUDE - Table II shows typical breakdown voltage versus altitude across the BeO thermal link. The measurements were taken with the heat sink plate at ground

CHARACTERISTICS OF 99.5% BeO			
Electrical Resistivity in ohm-cm @ 250°F	1014	Dielectric Strength in volts/mil	300
Dielectric Constant at 70°F and 1 MHz at 70°F and 8.5 GHz at 250°F and 8.5 GHz	6.40	Thermal Conductive (K) in Cal./Cm ² /Cm/Sec./°C of 99.5% BeO	
	6.57		
	6.64	20°C	0.60
Loss Tangent at 70°F and 1 MHz at 70°F and 8.5 GHz at 250°F and 8.5 GHz	0.0006	100°C	0.45
	0.00044	400°C	0.20
	0.00040	(From Coors Data Sheet 0001, Aug 1965)	



potential and the anode at the breakdown potential.

Altitude (thousands of feet)	All voltage readings in kVdc (typical)
Sea Level	11.5
5	10.5
10	10.5
15	9.0
20	7.5
25	6.5
30	5.5
35	5.0
40	4.0
45	4.0
50	3.5

Table II

OUTPUT CAPACITANCE - The interelectrode capacitances given in the General Characteristics are measured in a shielded fixture and do not include additional external capacitances. The typical capacitance between the anode and a heat sink 4" x 4" is 6.7 pF at 25°C. Total output capacitance will be approximately 11.5 pF. The measurement configuration is shown in Figure 1.

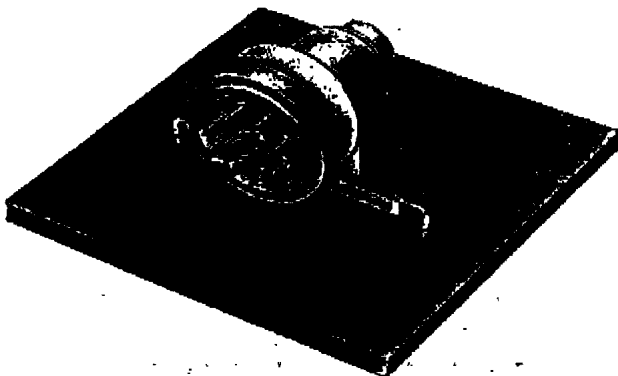


FIG. 1 TYPICAL MOUNTING CONFIGURATION

ELECTRICAL

HEATER/CATHODE OPERATION - For maximum life and uniform performance, the heater voltage should be maintained within plus or minus 5% of the rated 6.0 volts at operating frequencies up to 300

MHz for CW use. Between 300 and 400 MHz, 5.75 volts is recommended and between 400 and 500 MHz 5.5 volts is recommended.

GRID OPERATION - Maximum rated dc bias voltage is -250 volts. dc resistance, grid to cathode, should be no more than 100,000 ohms. Maximum grid dissipation allowable is 2 watts.

SCREEN OPERATION - Maximum screen dissipation is 12 watts, normally computed by multiplying dc screen voltage by the average screen current. This computation is essentially correct except in the case of heavy plate loading when secondary emission current may mask the normal screen current.

All tetrodes, under some conditions of loading and drive, will exhibit secondary emission from the screen which changes the net current to the screen and may even cause the screen meter to reverse. Normally, secondary emission is harmless provided the screen voltage is stable. To insure stable screen voltage, it is recommended that a bleeder resistor calculated to pass 15 ma from screen to ground be used.

PLATE OPERATION - The plate dissipation rating of the 4CS250R is limited by anode core and ceramic/metal seal temperature. These are a function of the thermal link and are discussed in the "Cooling" section.

MULTIPLE OPERATION - To obtain maximum power with minimum distortion from tubes operated in multiple it is desirable to adjust individual screen or grid-bias voltages so the peak plate current for each tube is equal at the crest of the exciting voltage. Under these conditions, individual dc plate currents will be approximately equal for full input signal for Class-AB 1 operation.

SPECIAL APPLICATION - If it is desired to operate this tube under conditions widely different from those listed here, write to Power Grid Tube Division, EIMAC Division of Varian, 301 Industrial Way, San Carlos, California, 94070. For information and recommendations.



4CS250R

OPERATING HAZARDS

PROPER USE AND SAFE OPERATING PRACTICES WITH RESPECT TO POWER TUBES ARE THE RESPONSIBILITY OF EQUIPMENT MANUFACTURERS AND USERS OF SUCH TUBES. ALL PERSONS WHO WORK WITH OR ARE EXPOSED TO POWER TUBES OR EQUIPMENT WHICH UTILIZES SUCH TUBES MUST TAKE PRECAUTIONS TO PROTECT THEMSELVES AGAINST POSSIBLE SERIOUS BODILY INJURY. DO NOT BE CARELESS AROUND SUCH PRODUCTS.

The operation of power tubes involves one or more of the following hazards, any one of which, in the absence of safe operating practices and precautions, could result in serious harm to personnel:

- a. **HIGH VOLTAGE** - Normal operating voltages can be deadly.
- b. **RF RADIATION** - Exposure to strong rf fields should be avoided, even at relatively low frequencies. The dangers of rf radiation are more severe at UHF and microwave frequencies and can cause serious bodily and eye injuries. **CARDIAC PACEMAKERS MAY BE AFFECTED.**
- c. **X-RAY RADIATION** - High voltage tubes can produce dangerous and possibly fatal x-rays.
- d. **BERYLLIUM OXIDE POISONING** - Dust or fumes from BeO ceramics used as thermal links with some conduction-cooled power tubes are highly toxic and can cause serious injury or death.
- e. **GLASS EXPLOSION** - Many electron tubes have glass envelopes. Breaking the glass can cause an implosion, which will result in an explosive scattering of glass particles. Handle glass tubes carefully.
- f. **HOT WATER** - Water used to cool tubes may reach scalding temperatures. Touching or rupture of the cooling system can cause serious burns.
- g. **HOT SURFACES** - Surfaces of air-cooled radiators and other parts of tubes can reach temperatures of several hundred degrees centigrade and cause serious burns if touched.

Please review the detailed operating hazards sheet enclosed with each tube or request a copy from the address shown below: Power Grid Tube Division, EIMAC Division of Varian, 301 Industrial Way, San Carlos, California 94070.



ANODE POWER DISSIPATION OF 4CS250R VS HEAT SINK AREA FOR WAKEFIELD B-1703 (SAFETY FACTOR INCLUDED)

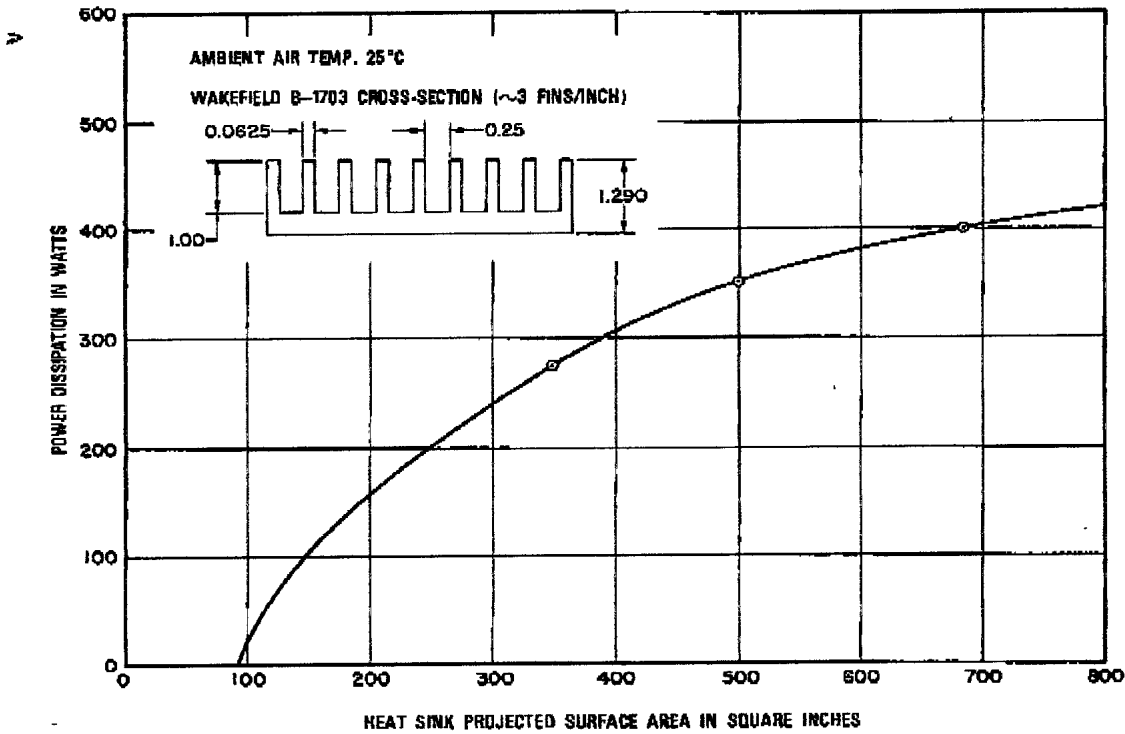


Fig. 2

THERMAL RESISTANCE VS AVERAGE TEMPERATURE OF 4CS250R THERMAL LINK INCLUDING 1 LAYER OF WAKEFIELD 120 THERMAL COMPOUND BETWEEN B_eO AND HEAT SINK

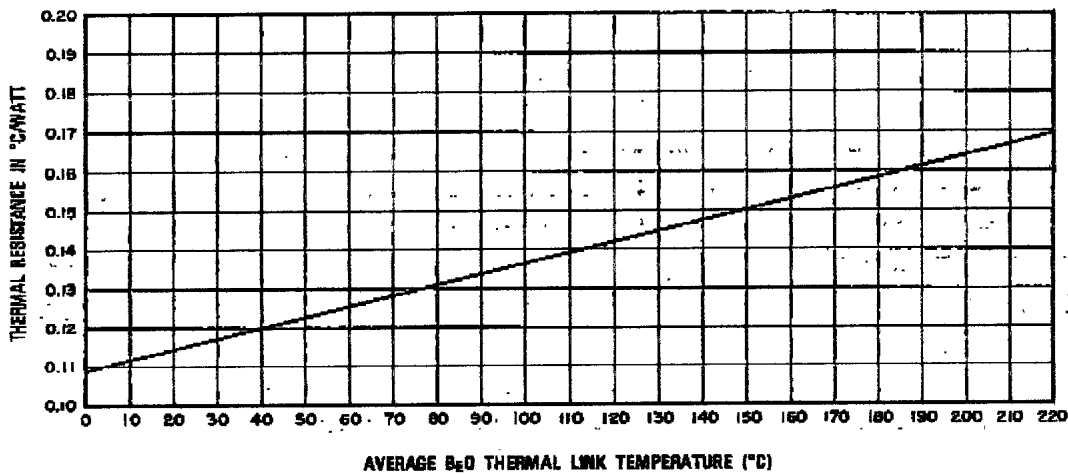
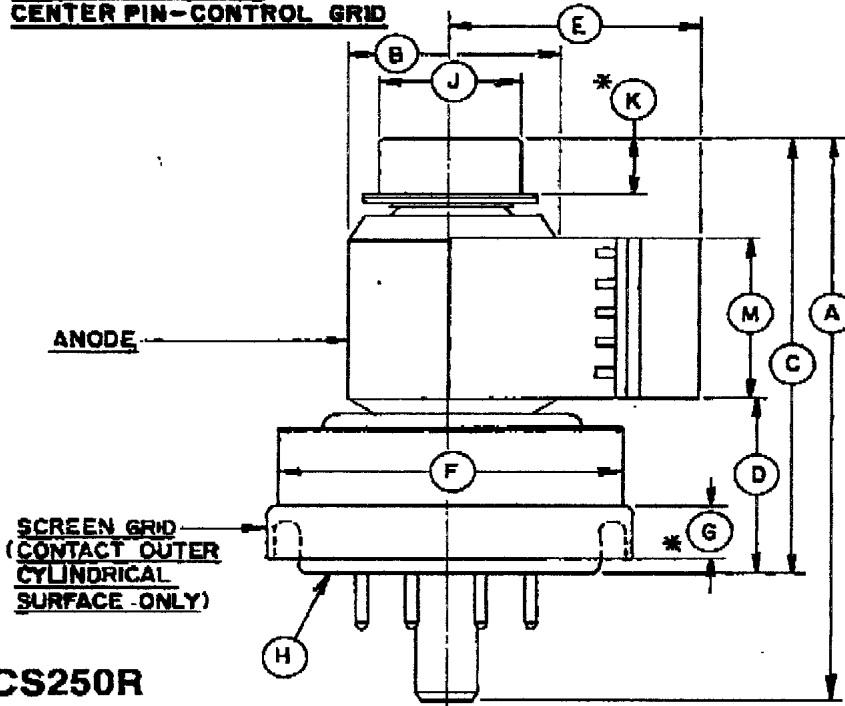


Fig. 3

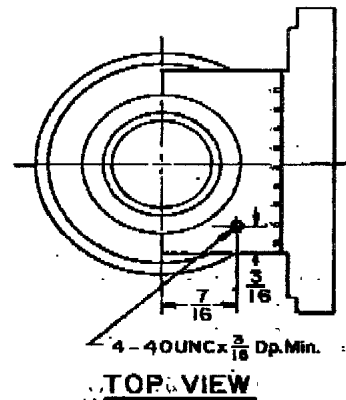
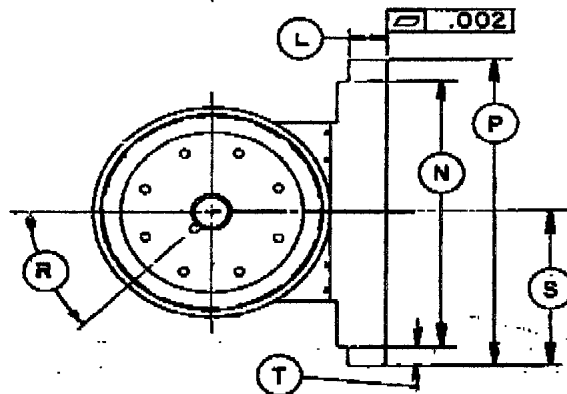


4CS250R

- PIN NO. 1. SCREEN GRID
- PIN NO. 2. CATHODE
- PIN NO. 3. HEATER
- PIN NO. 4. CATHODE
- PIN NO. 5. I.C DO NOT USE FOR EXTERNAL CONNECTION
- PIN NO. 6. CATHODE
- PIN NO. 7. HEATER
- PIN NO. 8. CATHODE
- CENTER PIN-CONTROL GRID

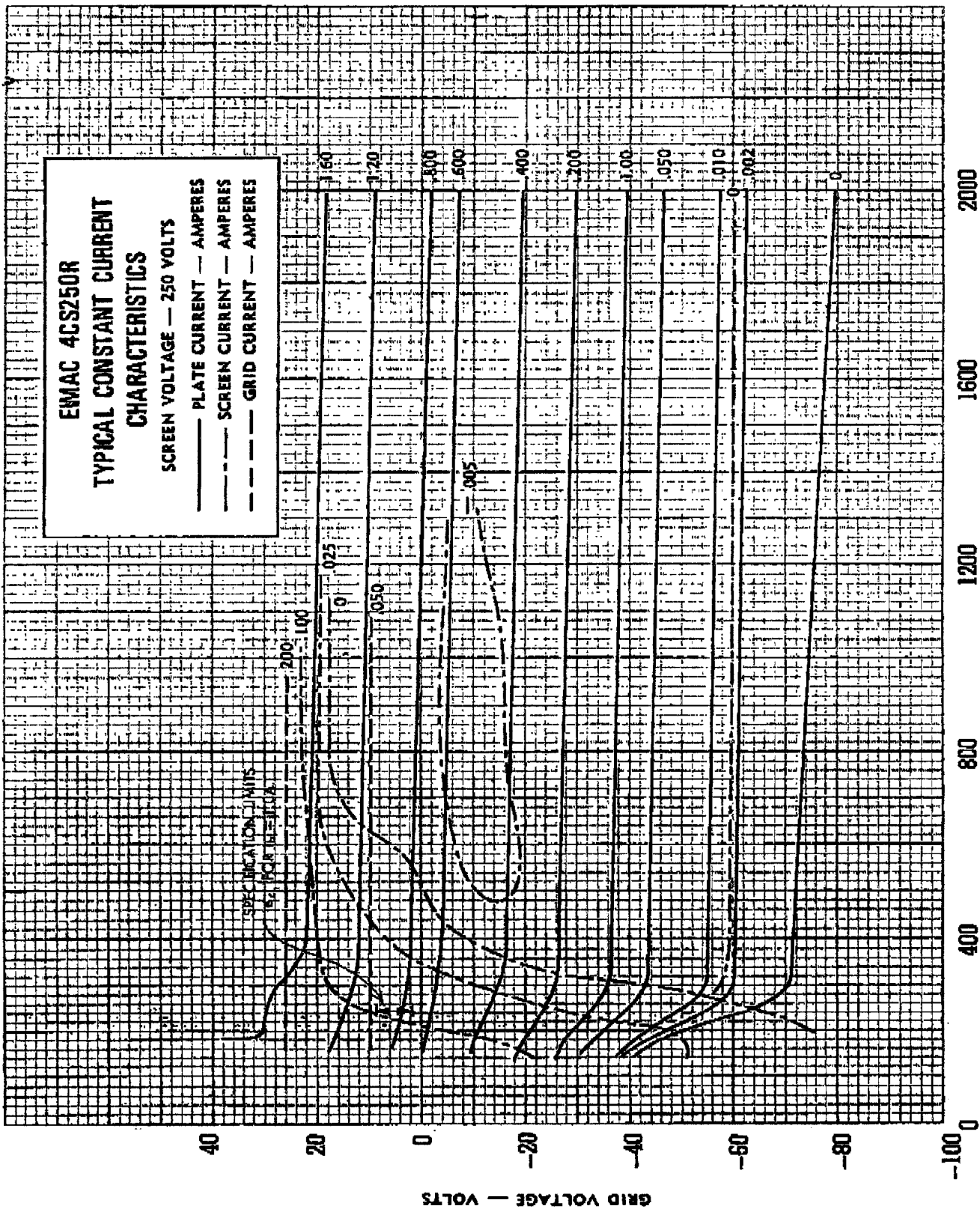


4CS250R



DIMENSIONAL DATA						
DIM.	INCHES			MILLIMETERS		
	MIN.	MAX.	REF.	MIN.	MAX.	REF.
A	2.324	2.464	--	59.03	62.59	--
B	0.690	0.694	--	22.35	22.71	--
C	1.810	1.910	--	45.97	48.51	--
D	0.760	0.800	--	19.30	20.32	--
E	0.985	1.015	--	25.02	25.78	--
F	--	1.406	--	--	35.71	--
G	0.187	--	--	4.75	--	--
H	BASE B8-236 (JEDEC DESIGNATION)					
J	0.599	0.573	--	15.20	14.55	--
K	0.240	--	--	6.10	--	--
L	0.214	0.228	--	5.44	5.79	--
M	0.600	0.640	--	15.24	16.26	--
N	1.723	1.797	--	44.02	44.88	--
P	1.980	2.020	--	50.29	51.31	--
R	43°	47°	--	43°	47°	--
S	0.995	1.03	--	25.02	25.76	--
T	0.107	0.143	--	2.72	3.63	--

NOTES:
1. REF DIMENSIONS ARE FOR INFO.
ONLY & ARE NOT REQUIRED FOR
INSPECTION PURPOSES.





4CS250R

