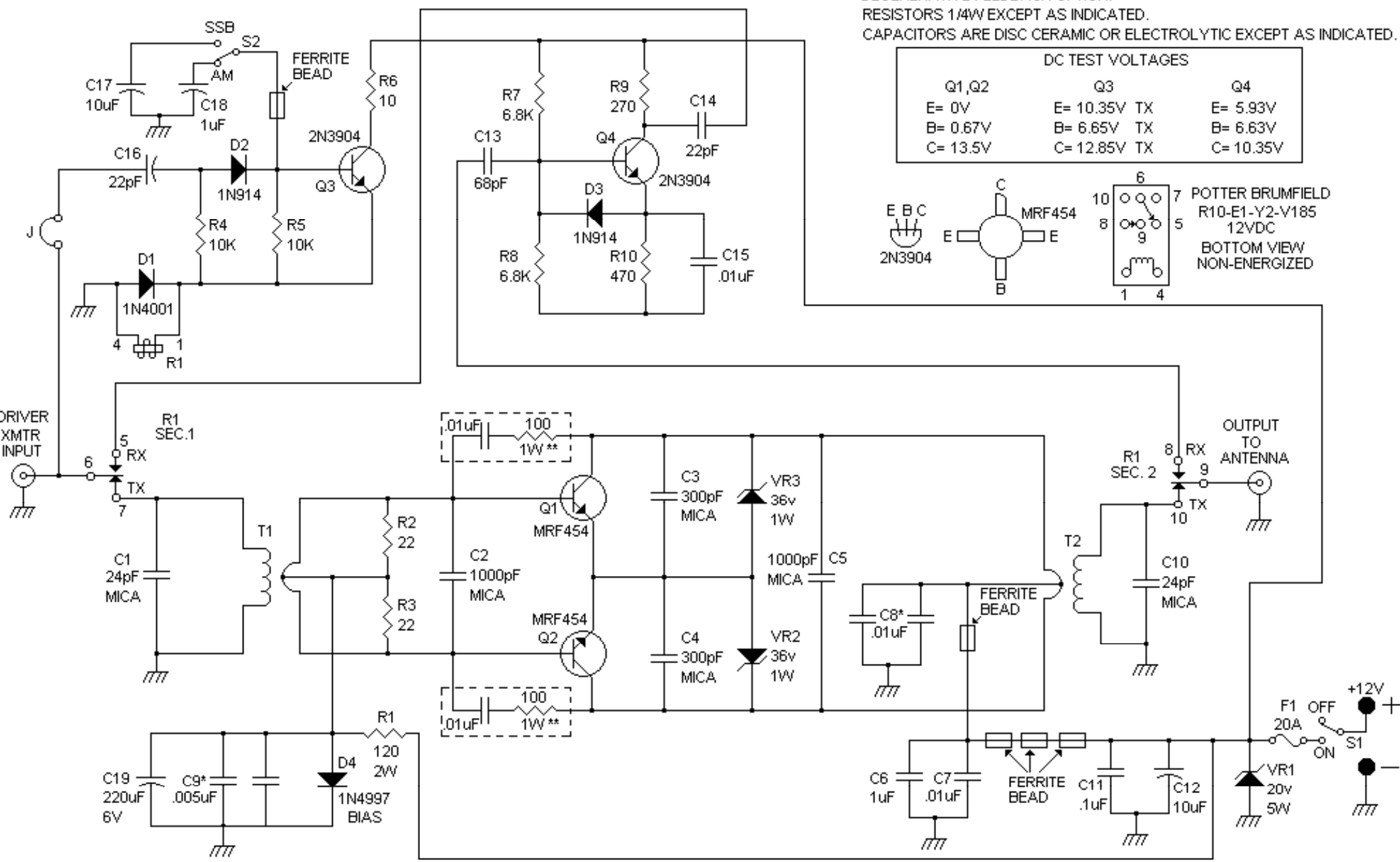
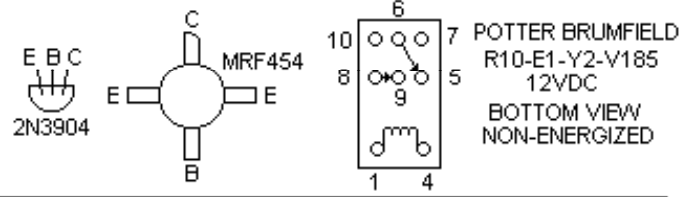


RELAY DRIVER

RX PRE-AMP

- \* TWO USED FOR HIGHER CURRENT HANDLING.
- \*\* DEGENERATIVE FEEDBACK OPTION.
- RESISTORS 1/4W EXCEPT AS INDICATED.
- CAPACITORS ARE DISC CERAMIC OR ELECTROLYTIC EXCEPT AS INDICATED.

DC TEST VOLTAGES		
Q1,Q2	Q3	Q4
E= 0V	E= 10.35V TX	E= 5.93V
B= 0.67V	B= 6.65V TX	B= 6.63V
C= 13.5V	C= 12.85V TX	C= 10.35V



BOOMER 250  
Re-Drawn By CBTricks